

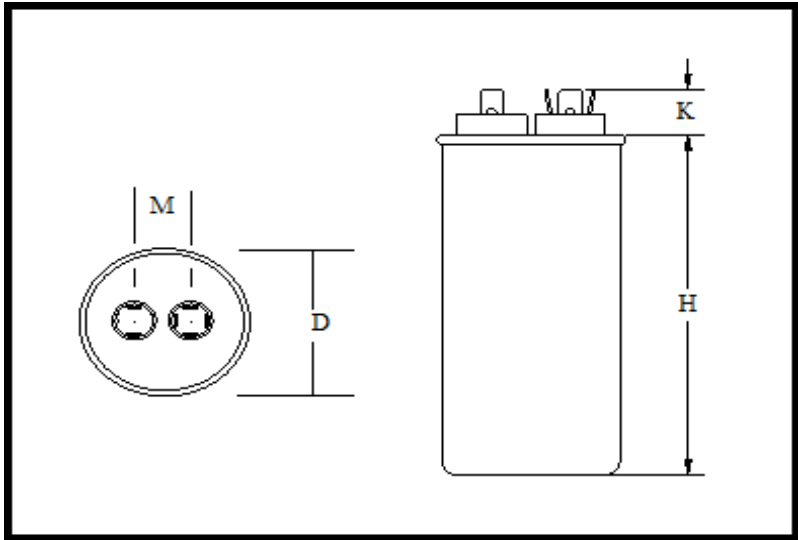
Part Number	DAL-2EJ002		Revision	
Customer P/N			Revision	
Capacitance	2	μ F.	Tolerance	5.0%
Voltage	250	VAC		
Dielectric	Metallized Polypropylene			
Terminal Type	.250" Quad-Spade Quick Connect Terminals			
Operating Temperature	-25 °C.-		85 °C.	
Dissipation Factor	0.001	maximum	@ 60 Hz.	

MOTOR Capacitors, Inc.

Motor Capacitors, Inc.
335 Beinoris Drive
Wood Dale, Illinois 60191
773-774-6666 (Phone) | 773-774-6690 (Fax)
www.capacitorindustries.com
info@capacitorindustries.com

	Dimension	Tolerance
Diameter (D) Case/Cover	1.57/1.68	0.06
Case Height (H)	2.17	0.06
Terminal Height (K)	0.56	ref.
Terminal-Terminal (M)	0.81	ref.
Insulating Cup (dia.)	0.74	ref.

Dimensions in inches



Stamping

2 μ F. 5% 250V 50/60 Hz. SH Capacitor
Motor Capacitors

Non PCB Protected 10,000 AFC
DAL-2EJ002

C RU[®] US **ЯU сРУ**

Approval : *J. D. Aldana*
Date : January 31, 2000