

| | | | |
|-----------------------|--|----------|----------------------|
| Part Number | CD60B-3CJ216259R-T1M1 | Revision | B |
| Customer P/N | 9181003-34 | Revision | B |
| Capacitance | 216 to 259 | | uF. |
| Voltage | 330 | | VAC |
| Dielectric | Aluminum Electrolytic Motor Start | | |
| Terminal Type | Dual .250" X .03" Quick Connect Terminals | | |
| Operating Temperature | -25 to 65 | | °C. |
| Dissipation Factor | 0.1 | | max. @ 60 Hz. |

MOTOR Capacitors, Inc.


Motor Capacitors, Inc.
335 Beinoris Drive
Wood Dale, Illinois 60191
773-774-6666 (Phone) | 773-774-6690 (Fax)
www.capacitorindustries.com
info@capacitorindustries.com

| | Dimension | Tolerance |
|------------------------|------------------|------------------|
| Diameter (D) | 2.56 | 0.03 |
| Terminal Spacing (C) | 0.43 | 0.02 |
| Height (L) | 4.37 | 0.03 |
| Quick-Connect Terminal | double | F |

Dimensions in inches

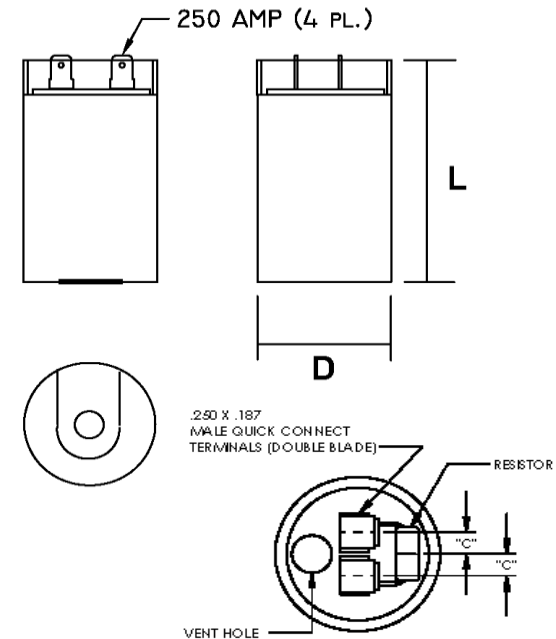
Stamping

Motor Capacitors
CD60B-3CJ216259R-T1M1
216-259 uF. 330 VAC
#9181003-34 Motor Starting Capacitor
-25 ~ +65 C.

RU (datecode) **RoHS CE TUV**  **US**

Type 1 - Heavy Duty 18K Ohm Discharge Resistor

Type 1- Heavy Duty 18 K Ohm 2 Watt Resistor Attached



Approval: *J.D. Aldana*
Date: June 6, 2013