

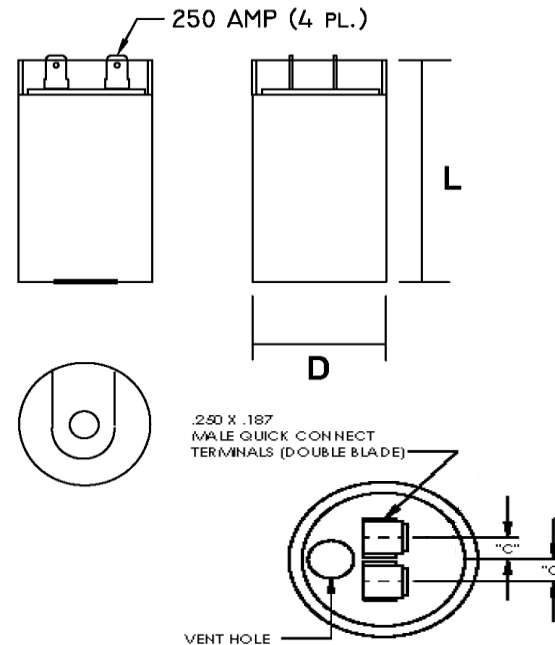
Part Number	CD60B-3CJ2125-T1		Revision
Customer P/N	18-1901-64		Revision
Capacitance	21	to 25	uF.
Voltage	330		VAC
Dielectric	Aluminum Electrolytic Motor Start		
Terminal Type	Dual .250" X .03" Quick Connect Terminals		
Operating Temperature	-25	to 65	°C.
Dissipation Factor	0.1	max. @ 60 Hz.	

MOTOR Capacitors, Inc.

Motor Capacitors, Inc.
 335 Beinoris Drive
 Wood Dale, Illinois 60191
 773-774-6666 (Phone) | 773-774-6690 (Fax)
www.capacitorindustries.com
info@capacitorindustries.com


	Dimension	Tolerance
Diameter (D)	1.44	0.03
Height (L)	3.37	0.03
Quick-Connect Terminal	double	F

Dimensions in inches



Stamping

JKD - Motor Capacitors
CD60B-3CJ2125-T1
21-25 uF. 330 VAC
#18-1901-64 Motor Starting Capacitor
-25 ~ +65 C.

RU (datecode) RoHS CE TUV 

Type 2 - Standard Duty
Capacitor must be Bar Code Labeled with Customer's P/N

Approval: J.D. Aldana
 Date: **March 5, 2013**