

Part Number	<b>CD60B-3CJ108130R-T1</b>		Revision
Customer P/N	<b>18-1901-20</b>		Revision
Capacitance	<b>108</b>	to	<b>130</b> uF.
Voltage	<b>330</b>		VAC
Dielectric	<b>Aluminum Electrolytic Motor Start</b>		
Terminal Type	<b>Dual .250" X .03" Quick Connect Terminals</b>		
Operating Temperature	<b>-25</b>	to	<b>65</b> °C.
Dissipation Factor	<b>0.1</b>		max. @ 60 Hz.

# MOTOR Capacitors, Inc.


**Motor Capacitors, Inc.**  
 335 Beinoris Drive  
 Wood Dale, Illinois 60191  
 773-774-6666 (Phone) | 773-774-6690 (Fax)  
[www.capacitorindustries.com](http://www.capacitorindustries.com)  
[info@capacitorindustries.com](mailto:info@capacitorindustries.com)

	Dimension	Tolerance
Diameter (D)	<b>2.06</b>	<b>0.03</b>
Terminal Spacing (C)		
Height (L)	<b>4.37</b>	<b>0.06</b>
Quick-Connect Terminal	<b>double</b>	<b>F</b>

*Dimensions in inches*

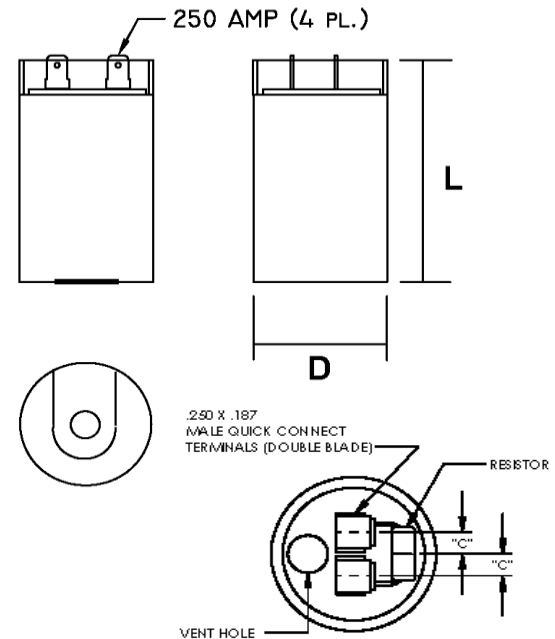
Stamping

**JKD - Motor Capacitors**  
**CD60B-3CJ108130R-T1**  
**108-130 uF. 330 VAC**  
**#18-1901-20 Motor Starting Capacitor**  
**-25 ~ +65 C.**

**RU** (datecode) **RoHS CE TUV** 

**NOTE: 15K Ohm Discharge Resistor Attached**

**15 K Ohm, 2 watt resistor attached Type 2 - Standard Duty**



Approval: J.D. Aldana  
 Date: May 15, 2012