

Part Number	CD60B-2EJ7288R-T1		Revision
Customer P/N	18-1901-55		Revision
Capacitance	72	to 88	uF.
Voltage	250		VAC
Dielectric	Aluminum Electrolytic Motor Start		
Terminal Type	Dual .250" X .03" Quick Connect Terminals		
Operating Temperature	-25	to 65	°C.
Dissipation Factor	0.1		max. @ 60 Hz.

# MOTOR Capacitors, Inc.


Motor Capacitors, Inc.  
 335 Beinoris Drive  
 Wood Dale, Illinois 60191  
 773-774-6666 (Phone) | 773-774-6690 (Fax)  
[www.capacitorindustries.com](http://www.capacitorindustries.com)  
[info@capacitorindustries.com](mailto:info@capacitorindustries.com)

	Dimension	Tolerance
Diameter (D)	1.81	0.03
Terminal Spacing (C)		
Height (L)	3.37	0.06
Quick-Connect Terminal	double	F

*Dimensions in inches*

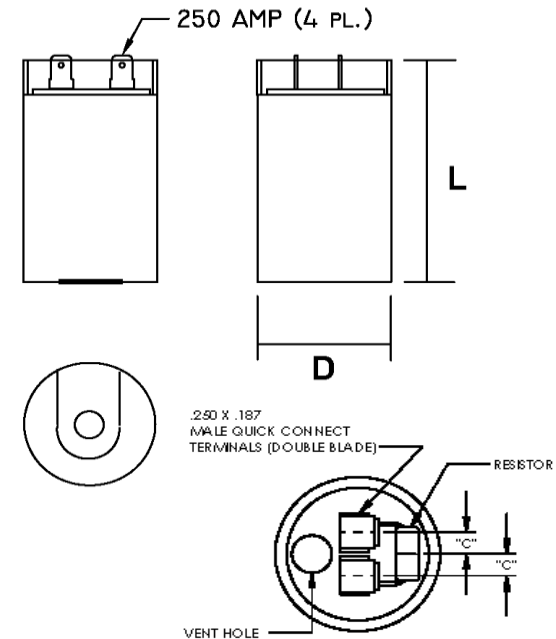
Stamping

JKD - Motor Capacitors  
 CD60B-2EJ7288R-T1  
 72-88 uF. 250 VAC  
 #18-1901-55 Motor Starting Capacitor  
 -25 ~ +65 C.

RU (datecode) RoHS CE TUV  US

NOTE: 15K Ohm Discharge Resistor Attached

15 K Ohm, 2 watt resistor attached Type 2 - Standard Duty  
 Capacitor must be Bar Code Labeled with Customer's P/N



Approval: J.D. Aldana  
 Date: August 26, 2011