

Part Number	CD60B-2EJ145174R-T1M1	Revision	C
Customer P/N	9181003-19	Revision	C
Capacitance	145 to 174	uF.	
Voltage	250	VAC	
Dielectric	Aluminum Electrolytic Motor Start		
Terminal Type	Dual .250" X .03" Quick Connect Terminals		
Operating Temperature	-25 to 65	°C.	
Dissipation Factor	0.1	max. @ 60 Hz.	

MOTOR Capacitors, Inc.


Motor Capacitors, Inc.
335 Beinoris Drive
Wood Dale, Illinois 60191
773-774-6666 (Phone) | 773-774-6690 (Fax)
www.capacitorindustries.com
info@capacitorindustries.com

	Dimension	Tolerance
Diameter (D)	2.05	0.03
Terminal Spacing (C)	0.43	0.02
Height (L)	4.13	0.03
Quick-Connect Terminal	double	F

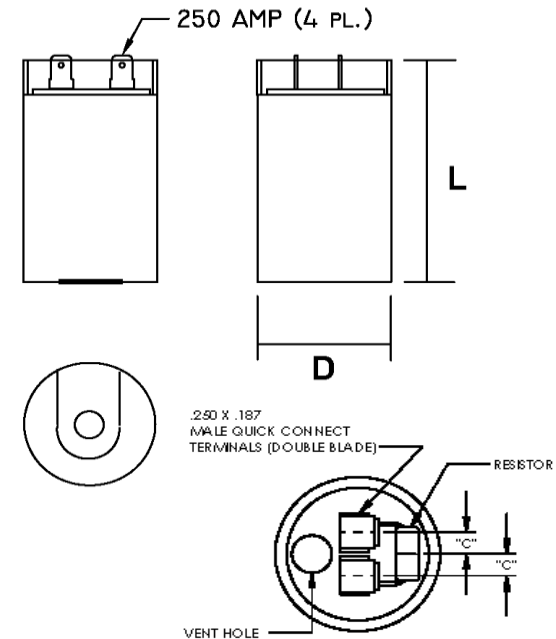
Dimensions in inches

Stamping

JKD - Motor Capacitors
CD60B-2EJ145174R-T1M1
145-174 uF. 250 VAC
#9181003-19 Motor Starting Capacitor
-25 ~ +65 C.

RU (datecode) **RoHS CE TUV**  **US**
Type 1 - Heavy Duty 18K Ohm Discharge Resistor

Type 1- Heavy Duty 18 K Ohm 2 Watt Resistor Attached
Improved Internal Winding Construction for improved Surge Voltage (270 VAC)



Approval: *J.D. Aldana*
Date: **January 18, 2016**