

Part Number	CD60B-2EJ145174R		Revision
Customer P/N			Revision
Capacitance	145	to	174 uF.
Voltage	250		VAC
Dielectric	Aluminum Electrolytic Motor Start		
Terminal Type	Dual .250" X .03" Quick Connect Terminals		
Operating Temperature	-25	to	65 °C.
Dissipation Factor	0.1		max. @ 60 Hz.

MOTOR Capacitors, Inc.


Motor Capacitors, Inc.
 335 Beinoris Drive
 Wood Dale, Illinois 60191
 773-774-6666 (Phone) | 773-774-6690 (Fax)
www.capacitorindustries.com
info@capacitorindustries.com

	Dimension	Tolerance
Diameter (D)	2.05	0.03
Terminal Spacing (C)	0.43	0.02
Height (L)	4.13	0.03
Quick-Connect Terminal	double	F

Dimensions in inches

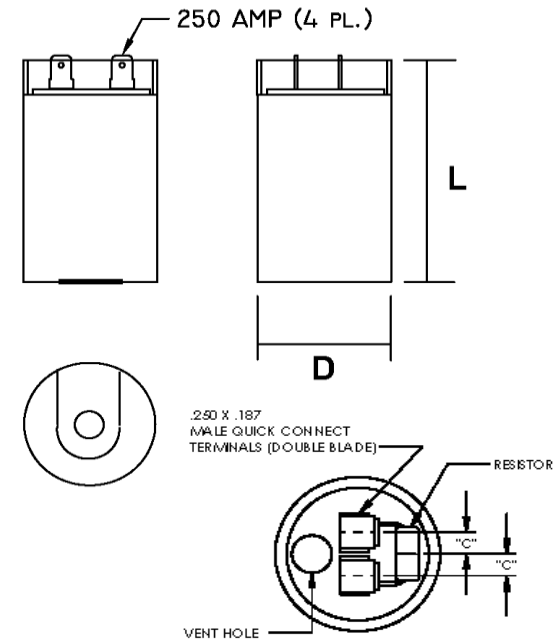
Stamping

JKD - Motor Capacitors
CD60B-2EJ145174R
145-174 uF. 250 VAC
Motor Starting Capacitor
-25 ~ +65 C.

RU (datecode) **RoHS CE TUV**  **US**

Type 1 - Heavy Duty 18K Ohm Discharge Resistor

Type 1- Heavy Duty 18 K Ohm 2 Watt Resistor Attached



Approval: J.D. Aldana
 Date: **February 18, 2013**