

Part Number	CD60B-1FE270324RM1-T1	Revision	A
Customer P/N	18-1901-42	Revision	A
Capacitance	270 to 324		uF.
Voltage	165		VAC
Dielectric	Aluminum Electrolytic Motor Start		
Terminal Type	Dual .250" X .03" Quick Connect Terminals		
Operating Temperature	-25 to 65		°C.
Dissipation Factor	0.1		max. @ 60 Hz.

MOTOR Capacitors, Inc.


Motor Capacitors, Inc.
335 Beinoris Drive
Wood Dale, Illinois 60191
773-774-6666 (Phone) | 773-774-6690 (Fax)
www.capacitorindustries.com
info@capacitorindustries.com

	Dimension	Tolerance
Diameter (D)	2.06	0.03
Terminal Spacing (C)	0.43	ref.
Height (L)	4.37	0.03
Quick-Connect Terminal	double	F

Dimensions in inches

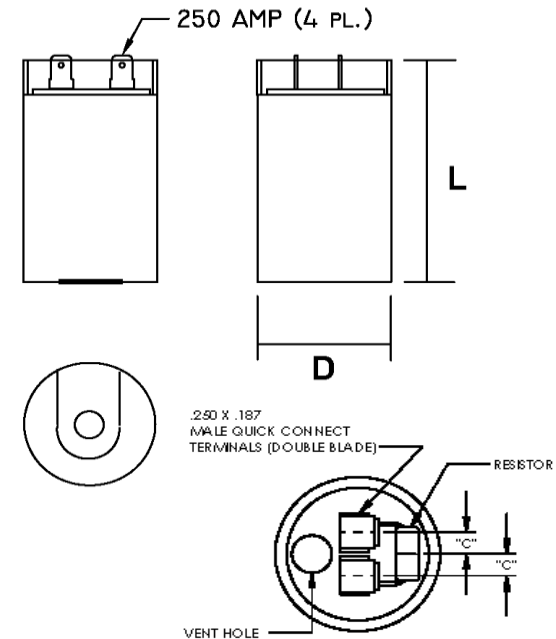
Stamping

Motor Capacitors
CD60B-1FE270324RM1-T1
270-324 uF. 165 VAC
18-1901-42 Motor Starting Capacitor
-25 ~ +65 C.

RU cRU (datecode) RoHS CE TUV 

NOTE: 15K Ohm, 2 Watt Discharge Resistor Attached

Type 2 - Standard Duty - 15K Ohm, 2 watt resistor attached
Capacitor must be labeled with customer's P/N Bar Code



Approval: J.D. Aldana
Date: January 10, 2017