

# SEI CAPACITORS

SEI Capacitors, Inc.

335 Beinoris Drive, Wood Dale, IL 60191

Phone: 773-774-6666

Fax: 773-774-6690

www.capacitorindustries.com

## CD295 SERIES

Aluminum Electrolytic Capacitors

- Features:
- Long rated life of 3,000 hours at 85 °C
  - High ripple current



### SPECIFICATION

Operating Temperature Range (°C)	-40 ~ +85	-25 ~ +85 (250 ~ 450 WV)																								
Rated Voltage Range (V)	16 ~ 450																									
Nominal Capacitance Range (uF)	39 ~ 22,000																									
Capacitance Tolerance (20 °C, 120 Hz)	± 20%																									
Leakage Current (uA)	I ≤ 0.01CV or 1.5 mA whichever is smaller (at 20 °C, after 5 minutes) C = Nominal capacitance (uF); V = Rated voltage (V)																									
Dissipation Factor (20 °C, 120 Hz)	<table border="1"> <thead> <tr> <th>Rated Voltage (V)</th> <th>16</th> <th>25</th> <th>35</th> <th>50</th> <th>63</th> <th>80</th> <th>100</th> <th>160 ~ 450</th> </tr> </thead> <tbody> <tr> <td>D.F. (max)</td> <td>0.50</td> <td>0.40</td> <td>0.35</td> <td>0.30</td> <td>0.25</td> <td>0.20</td> <td>0.20</td> <td>0.15</td> </tr> </tbody> </table>								Rated Voltage (V)	16	25	35	50	63	80	100	160 ~ 450	D.F. (max)	0.50	0.40	0.35	0.30	0.25	0.20	0.20	0.15
	Rated Voltage (V)	16	25	35	50	63	80	100	160 ~ 450																	
D.F. (max)	0.50	0.40	0.35	0.30	0.25	0.20	0.20	0.15																		
Load Life (+85 °C)	<table border="1"> <tr> <th>Time</th> <td>3,000 hours</td> </tr> <tr> <th>Leakage Current</th> <td>Not more than the initial specified value</td> </tr> <tr> <th>Capacitance Change</th> <td>Within ± 20% of the initial value</td> </tr> <tr> <th>Dissipation Factor</th> <td>Not more than 200% of the specified value</td> </tr> </table>		Time	3,000 hours	Leakage Current	Not more than the initial specified value	Capacitance Change	Within ± 20% of the initial value	Dissipation Factor	Not more than 200% of the specified value																
	Time	3,000 hours																								
	Leakage Current	Not more than the initial specified value																								
	Capacitance Change	Within ± 20% of the initial value																								
Dissipation Factor	Not more than 200% of the specified value																									
Shelf Life (+85 °C)	<table border="1"> <tr> <th>Time</th> <td>500 hours</td> </tr> <tr> <th>Leakage Current</th> <td>Not more than the initial specified value</td> </tr> <tr> <th>Capacitance Change</th> <td>Within ± 20% of the initial value</td> </tr> <tr> <th>Dissipation Factor</th> <td>Not more than 200% of the specified value</td> </tr> </table>		Time	500 hours	Leakage Current	Not more than the initial specified value	Capacitance Change	Within ± 20% of the initial value	Dissipation Factor	Not more than 200% of the specified value																
	Time	500 hours																								
	Leakage Current	Not more than the initial specified value																								
	Capacitance Change	Within ± 20% of the initial value																								
Dissipation Factor	Not more than 200% of the specified value																									

# SEI-CAPACITORS

SEI Capacitors, Inc.

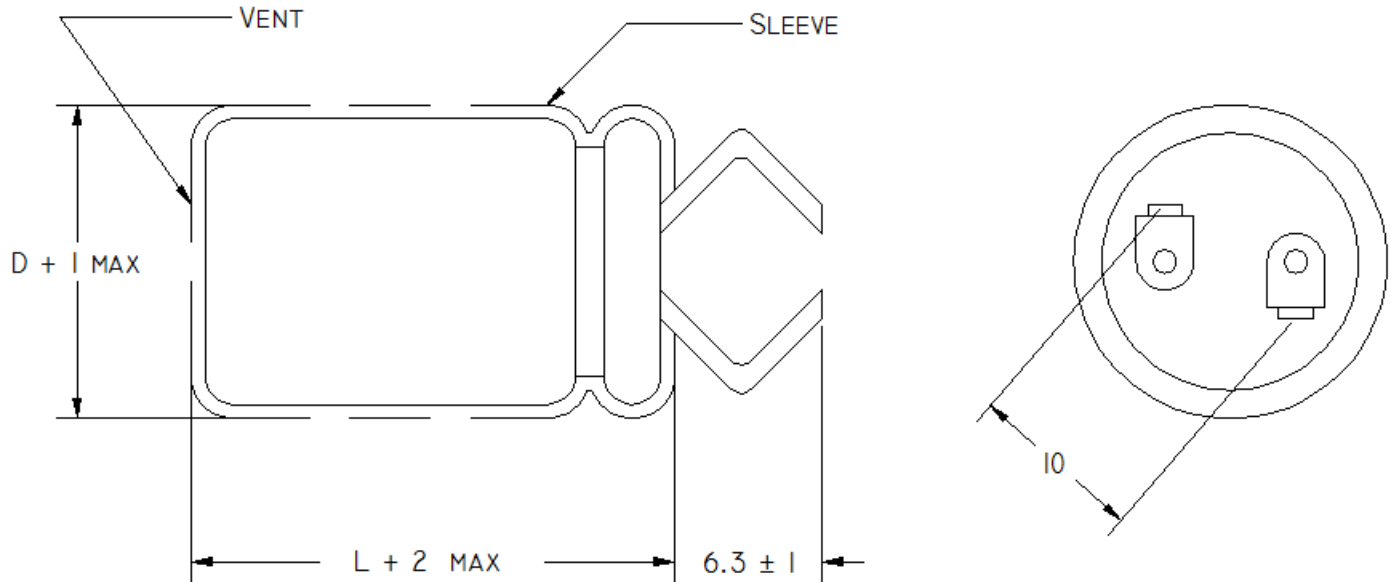
335 Beinoris Drive, Wood Dale, IL 60191

Phone: 773-774-6666

Fax: 773-774-6690

www.capacitorindustries.com

## DIMENSIONS



Dimensions are in millimeters (mm)

## RIPPLE CURRENT MULTIPLIER

Frequency Rated Voltage (V)	50	60	100 (120)	1K	10K
16 ~ 100	0.88	0.90	1	1.15	1.15
160 ~ 250	0.85	0.88	1	1.15	1.20
400 ~ 450	0.88	0.90	1	1.10	1.15

Frequency Coefficient

Temperature (°C)	+40	+55	+70	+85
Coefficient	2.1	1.8	1.51	1.0

Temperature Coefficient

# SEI CAPACITORS

SEI Capacitors, Inc.

335 Beinoris Drive, Wood Dale, IL 60191

Phone: 773-774-6666

Fax: 773-774-6690

www.capacitorindustries.com

## STANDARD RATINGS

WV uF	16		25		35		50		63		80		100	
	Cap (uF)	Ripple (A)	Cap (uF)	Ripple (A)	Cap (uF)	Ripple (A)	Cap (uF)	Ripple (A)	Cap (uF)	Ripple (A)	Cap (uF)	Ripple (A)	Cap (uF)	Ripple (A)
22x25	4,700	1.4	3,300	1.3	2,200	1.1	1,200	0.96	820	0.92	560	0.76	390	0.64
22x30	6,800	1.8	4,700	1.6	2,700	1.3	1,800	1.2	1,200	1.2	820	0.96	560	0.80
22x35	8,200	2.0	5,600	1.8	3,900	1.6	2,200	1.4	1,500	1.3	1,000	1.1	680	0.92
22x40	10,000	2.3	6,800	2.0	4,700	1.9	2,700	1.6	1,800	1.5	1,200	1.2	820	1.0
22x50	15,000	2.9	10,000	2.6	6,800	2.4	-	-	2,200	1.7	1,800	1.6	1,200	1.3
25x25	6,800	1.8	4,700	1.6	3,300	1.3	1,800	1.2	1,200	1.1	820	0.96	560	0.80
25x30	10,000	2.2	5,600	1.8	3,900	1.6	2,700	1.5	1,500	1.3	1,000	1.1	680	0.92
25x35	12,000	2.5	8,200	2.2	5,600	2.0	3,300	1.8	1,800	1.5	1,500	1.4	1,000	1.1
25x40	15,000	2.9	10,000	2.6	6,800	2.3	-	-	-	-	1,800	1.6	-	-
25x50	18,000	3.3	12,000	2.9	8,200	2.7	5,600	2.5	3,300	2.2	2,200	1.8	1,500	1.5
30x25	10,000	2.3	6,800	2.0	4,700	1.9	2,700	1.6	1,500	1.4	1,200	1.3	820	1.0
30x30	12,000	2.6	8,200	2.3	5,600	2.1	3,300	1.8	2,200	1.7	1,500	1.5	1,000	1.2
30x35	18,000	3.3	12,000	2.9	8,200	2.9	4,700	2.3	2,700	2.0	1,800	1.6	1,200	1.4
30x40	22,000	3.7	15,000	3.3	10,000	3.0	5,600	2.5	3,300	2.3	2,200	1.9	1,500	1.6
30x50	-	-	18,000	3.8	12,000	3.4	6,800	2.9	4,700	2.8	3,300	2.3	2,200	2.0
35x25	12,000	2.7	8,200	2.4	5,600	2.2	3,300	1.8	2,200	1.8	1,500	1.5	1,000	1.3
35x30	18,000	3.4	12,000	3.0	8,200	2.8	4,700	2.4	2,700	2.1	2,200	1.9	1,200	1.4
35x35	22,000	3.9	15,000	3.5	10,000	3.1	5,600	2.7	-	-	2,700	2.2	1,800	1.8
35x40	-	-	18,000	3.9	12,000	3.5	6,800	3.0	4,700	2.9	3,300	2.4	2,200	2.0
35x50	-	-	-	-	18,000	4.5	10,000	3.8	6,800	3.6	4,700	3.2	2,700	2.3

Ripple Current: 85 °C, 100 Hz or 120 Hz.

Specific capacitance and case sizes are available upon request.

# SEI CAPACITORS

SEI Capacitors, Inc.

335 Beinoris Drive, Wood Dale, IL 60191

Phone: 773-774-6666

Fax: 773-774-6690

www.capacitorindustries.com

## STANDARD RATINGS

WV uF	160		180		200		250		315		350		400		450	
	Cap (uF)	Ripple (A)	Cap (uF)	Ripple (A)	Cap (uF)	Ripple (A)	Cap (uF)	Ripple (A)	Cap (uF)	Ripple (A)	Cap (uF)	Ripple (A)	Cap (uF)	Ripple (A)	Cap (uF)	Ripple (A)
22x25	180	0.65	180	0.65	150	0.60	100	0.45	56	0.34	56	0.37	39	0.32	56	0.30
22x30	270	0.83	220	0.75	220	0.76	150	0.58	82	0.43	82	0.47	56	0.39	68	0.31
22x35	330	0.94	270	0.86	270	0.87	180	0.65	120	0.53	100	0.53	68	0.45	100	0.45
22x40	390	1.1	390	1.1	330	0.99	220	0.75	150	0.61	120	0.60	82	0.51	120	0.55
22x50	560	1.3	470	1.2	470	1.2	330	0.96	180	0.71	180	0.78	120	0.64	150	0.60
25x25	270	0.82	220	0.75	220	0.76	150	0.58	82	0.42	68	0.43	56	0.40	82	0.35
25x30	390	1.0	330	0.96	270	0.87	220	0.73	120	0.53	100	0.54	68	0.46	100	0.45
25x35	470	1.2	390	1.1	390	1.1	270	0.83	150	0.62	120	0.61	100	0.57	120	0.55
25x40	560	1.3	470	1.2	470	1.3	330	0.95	-	-	180	0.77	120	0.63	150	0.60
25x50	820	1.7	680	1.5	560	1.4	470	1.2	270	0.89	220	0.89	150	0.75	220	0.80
30x25	390	1.1	330	1.0	270	0.92	220	0.77	120	0.56	100	0.57	82	0.53	120	0.55
30x30	560	1.3	470	1.2	390	1.1	270	0.88	180	0.71	150	0.72	100	0.61	150	0.60
30x35	680	1.5	560	1.4	560	1.4	390	1.1	220	0.80	180	.82	150	0.77	180	0.70
30x40	820	1.7	680	1.6	680	1.6	470	1.2	270	0.92	220	0.93	180	0.87	220	0.80
30x50	1,000	2.0	1,000	2.0	820	1.8	560	1.4	390	1.20	330	1.2	220	1.0	330	1.0
35x25	470	1.3	390	1.2	390	1.2	270	0.93	180	0.74	150	0.77	100	0.65	-	-
35x30	680	1.6	560	1.5	560	1.5	390	1.2	220	0.84	220	0.97	150	0.83	220	0.80
35x35	820	1.8	820	1.8	680	1.7	470	1.3	330	1.1	270	1.1	180	0.93	270	0.90
35x40	1,000	2.0	1,000	2.1	820	1.9	560	1.5	390	1.2	330	1.3	220	1.1	330	1.00
35x50	1,500	2.6	1,200	2.4	1,200	2.4	820	1.9	470	1.4	470	1.6	330	1.3	390	1.20

Ripple Current: 85 °C, 100 Hz or 120 Hz.

Specific capacitance and case sizes are available upon request.