

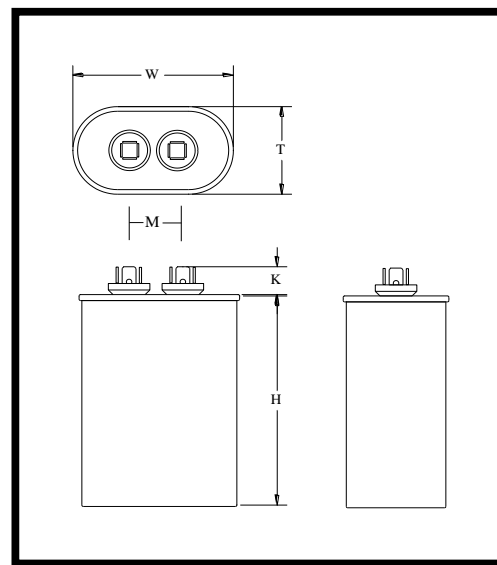
Part Number	CBB66A-525V326R	Revision	A
Customer P/N		Revision	A
Capacitance	32	uF.	Tolerance 5.0%
Voltage	525	VAC	
Dielectric	Metallized Polypropylene		
Terminal Type	.250" Quad-Spade Quick Connect Terminals		
Operating Temperature	-25 °C.-	100 °C.	
Dissipation Factor	0.002	maximum @ 60 Hz.	

MOTOR Capacitors, Inc.

Motor Capacitors, Inc.
 335 Beinoris Drive
 Wood Dale, Illinois 60191
 773-774-6666 (Phone) | 773-774-6690 (Fax)
www.capacitorindustries.com
info@capacitorindustries.com


	Dimension	Tolerance
Case / Cover Width (W)	3.54	0.06
Case / Cover Thickness (T)	1.89	0.06
Case Height (H)	3.55	0.06
Terminal Height (K)	0.56	ref.
Terminal-Terminal (M)	0.83	ref.
Insulating Cup (dia.)	0.74	

Dimensions in inches



Stamping

AHJK - Motor Cap
CBB66A-525V326R
32 uF ±5% 525VAC
100 C Max. 50/60Hz.
Protected 10,000 AFC
Internal Resistor
RU Non PCB Date Code RoHS



Lighting Capacitor
Internal Resistor 1 watt, 470k

Approval: J. D. Aldana
 Date: October 12, 2016