

# MOTOR Capacitors, Inc.

Motor Capacitors, Inc.

335 Beinoris Drive

Wood Dale, Illinois 60191

773-774-6666 (Phone) | 773-774-6690 (Fax)

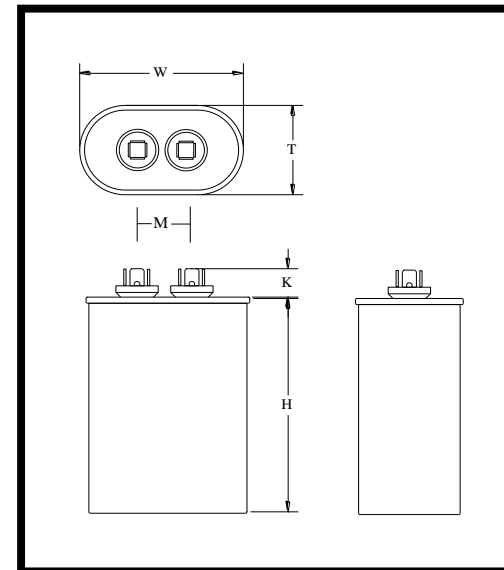
[www.capacitorindustries.com](http://www.capacitorindustries.com)


[info@capacitorindustries.com](mailto:info@capacitorindustries.com)

Part Number	CBB66A-525V3265R		Revision
Customer P/N			Revision
Capacitance	32.6	uF.	Tolerance -0% +1.5%
Voltage	525	VAC	
Dielectric	Metallized Polypropylene		
Terminal Type	.250" Quad-Spade Quick Connect Terminals		
Operating Temperature	-25 °C.-	100 °C.	
Dissipation Factor	0.002	maximum	@ 60 Hz.

	Dimension	Tolerance
Case / Cover Width (W)	3.54	0.06
Case / Cover Thickness (T)	1.89	0.06
Case Height (H)	3.94	0.06
Terminal Height (K)	0.56	ref.
Terminal-Terminal (M)	0.83	ref.
Insulating Cup (dia.)	0.74	

*Dimensions in inches*



Stamping	AHJK - Motor Cap CBB66A-525V3265R 32.6 uF -0/+1.5% 525VAC 100 C Max. 50/60Hz. Protected 10,000 AFC Internal Resistor RU Non PCB Date Code RoHs	
----------	--	---

Lighting Capacitor Internal Resistor 1 watt, 470k  
MUST BE 32.6uF (-0 / +1.5%)

Approval: J. D. Aldana  
Date: July 28, 2015