

Part Number	CBB66A-525V0430R		Revision
Customer P/N			Revision
Capacitance	30 + 4	uF.	Tolerance 3%
Voltage	525	VAC	
Dielectric	Metallized Polypropylene		
Terminal Type	.250" Quad-Spade Quick Connect Terminals		
Operating Temperature	-25	100 °C.	
Dissipation Factor	0.0001	maximum @ 60 Hz.	

MOTOR Capacitors, Inc.

Motor Capacitors, Inc.

335 Beinoris Drive

Wood Dale, Illinois 60191

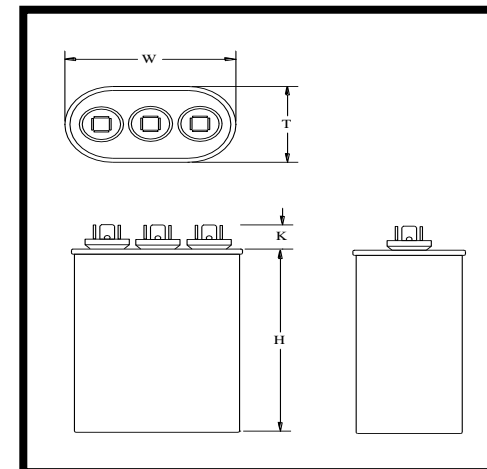
773-774-6666 (Phone) | 773-774-6690 (Fax)

www.capacitorindustries.com


info@capacitorindustries.com

	Dimension	Tolerance
Case Width (W)	3.54	0.06
Case Thickness (T)	1.89	0.06
Case Height (H)	3.86	0.06
Terminal Height (K)	0.56	ref.
Terminal-Terminal (M)	0.83	ref.
Insulating Cup (dia.)	0.74	

Dimensions in inches



Stamping	
AHJK - Motor Cap	
CBB66A-525V0430R	
30/4 uF -0/+3% 525VAC	
100 C Max. 50/60Hz.	
Protected 10,000 AFC	
Internal Resistor	
RU Non PCB Date Code RoHs	



Dual Lighting Capacitor -0/+3% Tolerance
Internal Resistor 1 watt, 470k
Resistor 1 watt, 470k

Engineer J.D. Aldana
Date April 10, 2013