

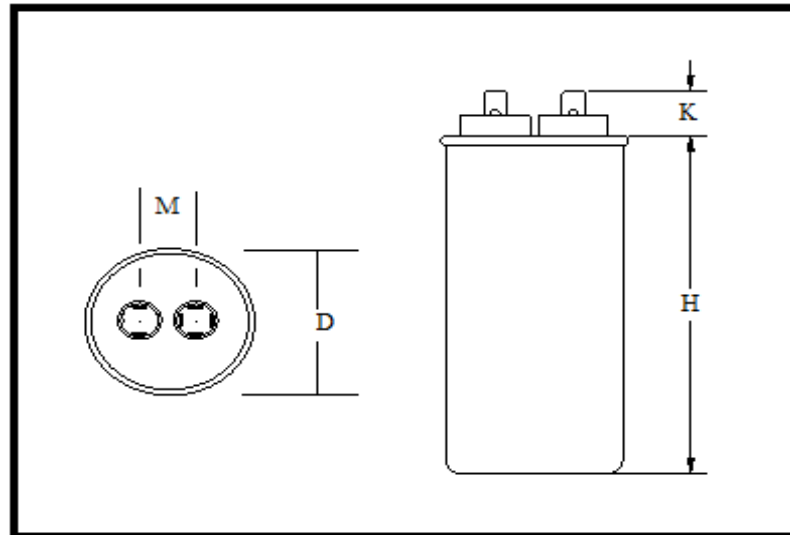
Part Number	CBB66A-370R106M	Revision	
Customer P/N	950481	Revision	B
Capacitance	10	uF.	Tolerance 5.0%
Voltage	370	VAC	
Dielectric	Metallized Polypropylene		
Terminal Type	Dual .250" X .03" Quick Connect Terminals		
Operating Temperature	-25 °C.-	100 °C.	
Dissipation Factor	0.002	maximum	@ 60 Hz.

MOTOR Capacitors, Inc.

Motor Capacitors, Inc.
 335 Beinoris Drive
 Wood Dale, Illinois 60191
 773-774-6666 (Phone) | 773-774-6690 (Fax)
www.capacitorindustries.com
info@capacitorindustries.com


	Dimension	Tolerance
Diameter (D) Case/Cover	1.57	0.06
Case Height (H)	2.55	0.06
Terminal Height (K)	0.56	ref.
Terminal-Terminal (M)	0.62	ref.
Insulating Cup (dia.)	0.61	ref.

Dimensions in inches



Stamping

AHJK - Motor Cap
CBB66A-370R106M
10 uF 5% 370 VAC
100 C Max. 50/60Hz.
Protected 10,000 AFC
#950481 RU
Non PCB Date Code RoHs



Approval : *J. D. Aldana*
 Date : February 1, 2013