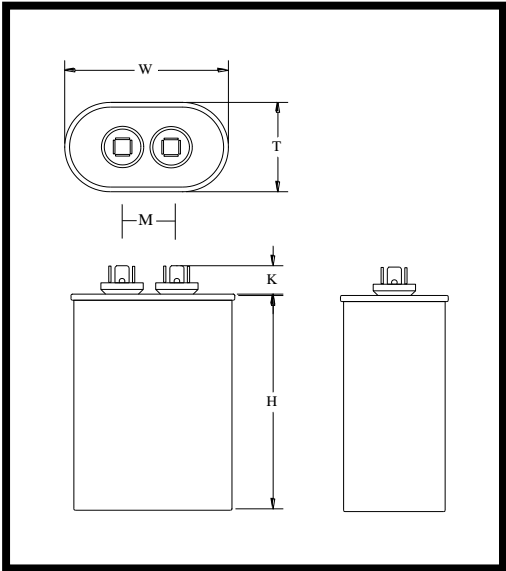


Part Number	CBB65E-370V405-M1		Revision	B
Customer P/N			Revision	B
Capacitance	4	uF.	Tolerance	6.0%
Voltage	370	VAC		
Dielectric	Metallized Polypropylene			
Terminal Type	.250" Quad-Spade Quick Connect Terminals			
Operating Temperature	-40 °C.-		70 °C.	
Dissipation Factor	0.001	maximum	@ 60 Hz.	

MOTOR Capacitors, Inc.

Motor Capacitors, Inc.
335 Beinoris Drive
Wood Dale, Illinois 60191
773-774-6666 (Phone) | 773-774-6690 (Fax)
www.capacitorindustries.com
info@capacitorindustries.com

	Dimension	Tolerance
Case / Cover Width (W)	2.03/2.16	0.03
Case / Cover Thickness (T)	1.23/1.31	0.03
Case Height (H)	1.55	0.06
Terminal Height (K)	0.56	ref.
Terminal-Terminal (M)	0.81	ref.
Insulating Cup (dia.)	0.74	
<i>Dimensions in inches</i>		



Stamping
Wuxi Hongguang Capacitor Co.
CBB65E-370V405-M1
4.0 uF 6% 370VAC
-40 - +70 C. 50/60 Hz.

cRU[®] US

P2 Protected 10,000 AFC
Non PCB RU cRU VDE CE Date Code RoHS

- Meets EIA Standard 456-A
- Rated Life 60,000 Hours
- Agency Approvals: UL, cUL, VDE, CE
- Solid Cover Design; No Fill Hole

Approval: J. D. Aldana
Date September 16, 2013