

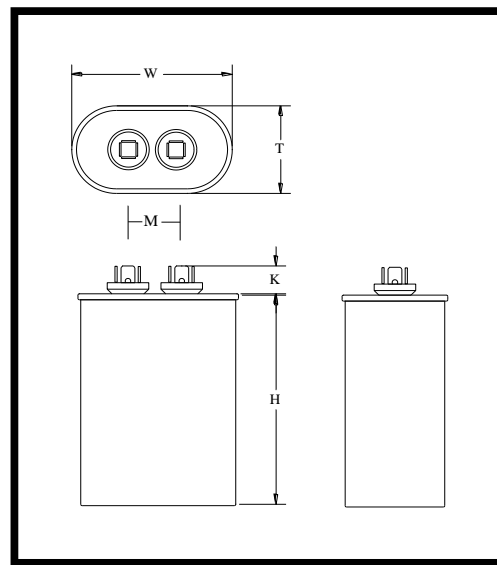
Part Number	<b>CBB65-660V186</b>		Revision	
Customer P/N			Revision	
Capacitance	<b>18</b>	uF.	Tolerance	<b>5.0%</b>
Voltage	<b>660</b>	VAC		
Dielectric	<b>Metallized Polypropylene</b>			
Terminal Type	<b>.250" Quad-Spade Quick Connect Terminals</b>			
Operating Temperature	<b>-40 °C.-</b>		<b>85 °C.</b>	
Dissipation Factor	<b>0.001</b>	maximum	@ 60 Hz.	

# MOTOR Capacitors, Inc.

Motor Capacitors, Inc.  
 335 Beinoris Drive  
 Wood Dale, Illinois 60191  
 773-774-6666 (Phone) | 773-774-6690 (Fax)  
[www.capacitorindustries.com](http://www.capacitorindustries.com)  
[info@capacitorindustries.com](mailto:info@capacitorindustries.com)

	Dimension	Tolerance
Case / Cover Width (W)	<b>2.80/2.87</b>	<b>0.06</b>
Case / Cover Thickness (T)	<b>1.80/1.87</b>	<b>0.06</b>
Case Height (H)	<b>3.94</b>	<b>0.06</b>
Terminal Height (K)	<b>0.56</b>	<b>ref.</b>
Terminal-Terminal (M)	<b>0.81</b>	<b>ref.</b>
Insulating Cup (dia.)	<b>0.74</b>	

*Dimensions in inches*



Stamping

**Wuxi - Motor Cap  
 CBB65-660V186  
 18uF 5% 660 VAC  
 -40 - +85 C. 50/60 Hz.**

**Protected 10,000 AFC  
 Non PCB Date Code RoHs**

Approval: J.D. Aldana  
 Date: October 29, 2007