

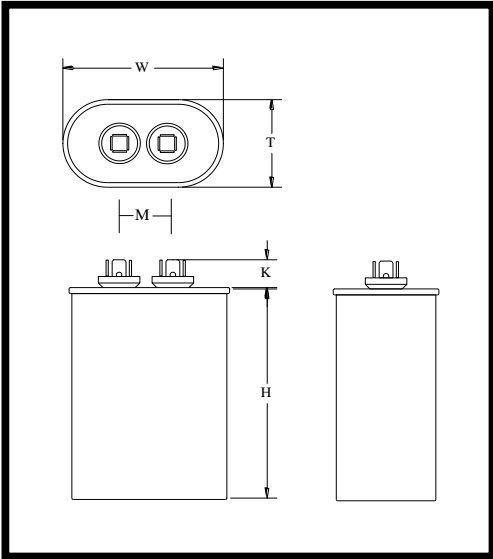
Part Number	<b>CBB65-370V126A</b>	Revision	
Customer P/N	<b>311327211</b>	Revision	
Capacitance	<b>12</b>	uF.	Tolerance <b>5.0%</b>
Voltage	<b>370</b>	VAC	
Dielectric	<b>Metallized Polypropylene</b>		
Terminal Type	<b>.250" Quad-Spade Quick Connect Terminals</b>		
Operating Temperature	<b>-40 °C.-</b>	<b>70 °C.</b>	
Dissipation Factor	<b>0.001</b>	maximum	@ 60 Hz.

# MOTOR Capacitors, Inc.

Motor Capacitors, Inc.  
 335 Beinoris Drive  
 Wood Dale, Illinois 60191  
 773-774-6666 (Phone) | 773-774-6690 (Fax)  
[www.capacitorindustries.com](http://www.capacitorindustries.com)  
[info@capacitorindustries.com](mailto:info@capacitorindustries.com)

	Dimension	Tolerance
Case / Cover Width (W)	<b>2.22</b>	<b>max</b>
Case / Cover Thickness (T)	<b>1.40</b>	<b>max</b>
Case Height (H)	<b>2.67</b>	<b>max.</b>
Terminal Height (K)	<b>0.56</b>	<b>ref.</b>
Terminal-Terminal (M)	<b>0.81</b>	<b>ref.</b>
Insulating Cup (dia.)	<b>0.74</b>	

*Dimensions in inches*




Stamping

Anhui - Motor Cap  
 CBB65-370V126A  
 12uF 5% 370 VAC  
 -40 - +70 C. 50/60 Hz.  
 311327211

Protected 10,000 AFC

Non PCB    RU    Date Code    RoHS




Approval: J.D. Aldana  
 Date: October 17, 2011