

Part Number	ADP440N664JL		Revision
Customer P/N	A-24817-CF		Revision
Capacitance	0.66	uF.	Tolerance 5%
Voltage	440	VAC	
Dielectric	Metallized Polypropylene		
Terminal Type	Insulated Wire Leads		
Operating Temperature	-25	85 °C.	
Dissipation Factor	0.001	maximum	@ 60 Hz.

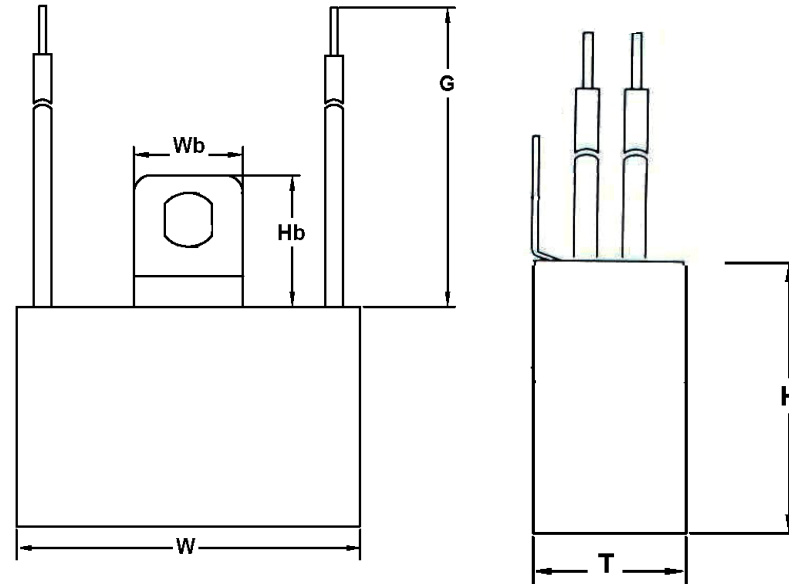
MOTOR Capacitors, Inc.

Motor Capacitors, Inc.
 335 Beinoris Drive
 Wood Dale, Illinois 60191
 773-774-6666 (Phone) | 773-774-6690 (Fax)
www.capacitorindustries.com
info@capacitorindustries.com

	Dimension	Tolerance
Width (W)	1.26	0.03
Thickness (T)	0.51	0.03
Height (H)	0.91	0.03
Total Thickness (Tt)	0.58	0.03
Wire Length (G)	5.50	0.50
Wire Gauge (Gw)	18/20	AWG
Wire Color (Cw)	Black	
Bracket Height (Hb)	0.55	0.03
Bracket Width (Wb)	0.47	0.03

Dimensions in inches

Stamping	ADP
	.66 uF 5% 440 VAC
	-25 - +85 C.
	50 - 60 Hz.
	Motor Cap
	CBB61
	RU, cRU, RoHS



UL Recognized Component



Approval: *J.D. Aldana*
 Date December 29, 2009