

| | | | |
|-----------------------|---------------------------------|---------------|---------------------|
| Part Number | ADP440N594JL | | Revision |
| Customer P/N | A-24817-F | | Revision |
| Capacitance | 0.59 | uF. | Tolerance 5% |
| Voltage | 440 | VAC | |
| Dielectric | Metallized Polypropylene | | |
| Terminal Type | Insulated Wire Leads | | |
| Operating Temperature | -25 | 85 °C. | |
| Dissipation Factor | 0.001 | maximum | @ 60 Hz. |

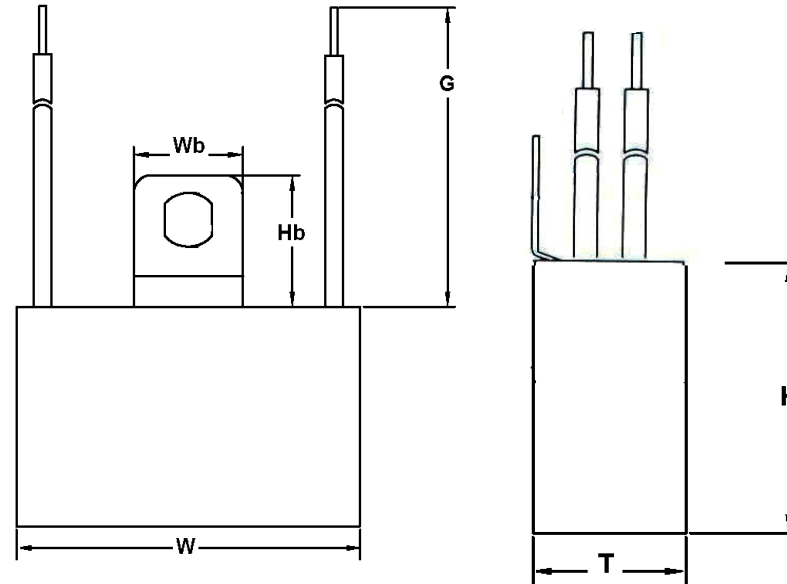
MOTOR Capacitors, Inc.

Motor Capacitors, Inc.
 335 Beinoris Drive
 Wood Dale, Illinois 60191
 773-774-6666 (Phone) | 773-774-6690 (Fax)
www.capacitorindustries.com
info@capacitorindustries.com

| | Dimension | Tolerance |
|----------------------|-----------|-----------|
| Width (W) | 1.26 | 0.03 |
| Thickness (T) | 0.51 | 0.03 |
| Height (H) | 0.91 | 0.03 |
| Total Thickness (Tt) | 0.58 | 0.03 |
| Wire Length (G) | 5.50 | 0.50 |
| Wire Gauge (Gw) | 20 | AWG |
| Wire Color (Cw) | Black | |
| Bracket Height (Hb) | 0.55 | 0.03 |
| Bracket Width (Wb) | 0.47 | 0.03 |

Dimensions in inches

| | |
|----------|--------------------------|
| Stamping | ADP |
| | .59 uF 5% 440 VAC |
| | -25 - +85 C. |
| | 50 - 60 Hz. |
| | Motor Cap |
| | CBB61 |
| | RU, cRU, RoHS |



UL Recognized Component

Approval: J.D. Aldana
 Date December 29, 2009