

Part Number	ADP250H107JL		Revision
Customer P/N	195-100-0250		Revision
Capacitance	100	uF.	Tolerance 10%
Voltage	250	VAC	
Dielectric	Metallized Polypropylene		
Terminal Type	Insulated Wire Leads		
Operating Temperature	-40	85 °C.	
Dissipation Factor	0.001	maximum	@ 60 Hz.

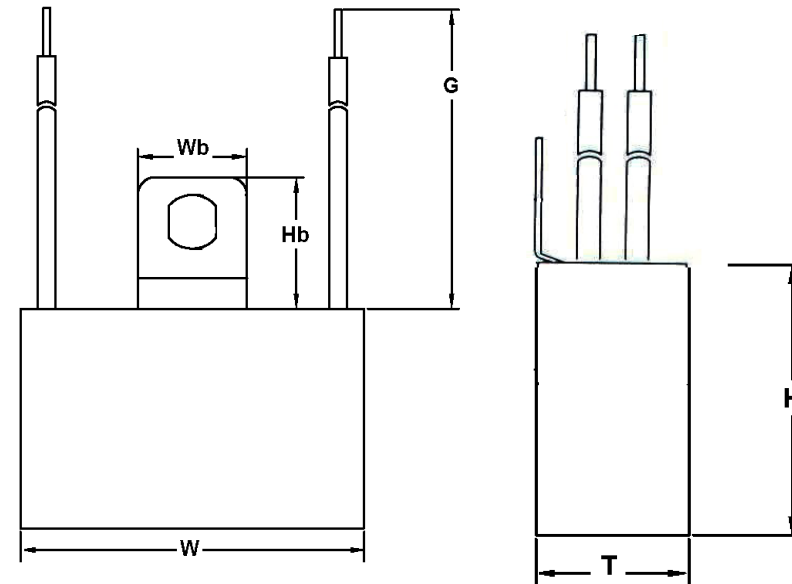
MOTOR Capacitors, Inc.

Motor Capacitors, Inc.
 335 Beinoris Drive
 Wood Dale, Illinois 60191
 773-774-6666 (Phone) | 773-774-6690 (Fax)
www.capacitorindustries.com
info@capacitorindustries.com

	Dimension	Tolerance
Width (W)	3.23	0.03
Thickness (T)	1.97	0.03
Height (H)	1.57	0.03
Total Thickness (Tt)	NO mtg ear	
Wire Length (G)	5.00	0.38
Wire Gauge (Gw)	14	AWG
Wire Color (Cw)	RED	
Bracket Height (Hb)	0.55	0.03
Bracket Width (Wb)	0.47	0.03

Dimensions in inches

Stamping	ADP
	100 uF 10% 250 VAC
	-40 - +85 C.
	50 - 60 Hz.
	Motor Cap CBB6A
	195-100-0250
	E249430 RU cRU RoHs Date Code



UL Recognized Component

Approval: J.D. Aldana
 Date: April 29, 2014